

914CE16-3

M

DRAWING
 NUMBER

X &

ISSUE
 3

RELEASE NO. PR-6431-T REPLACES

CHECK

CHECK

C E B

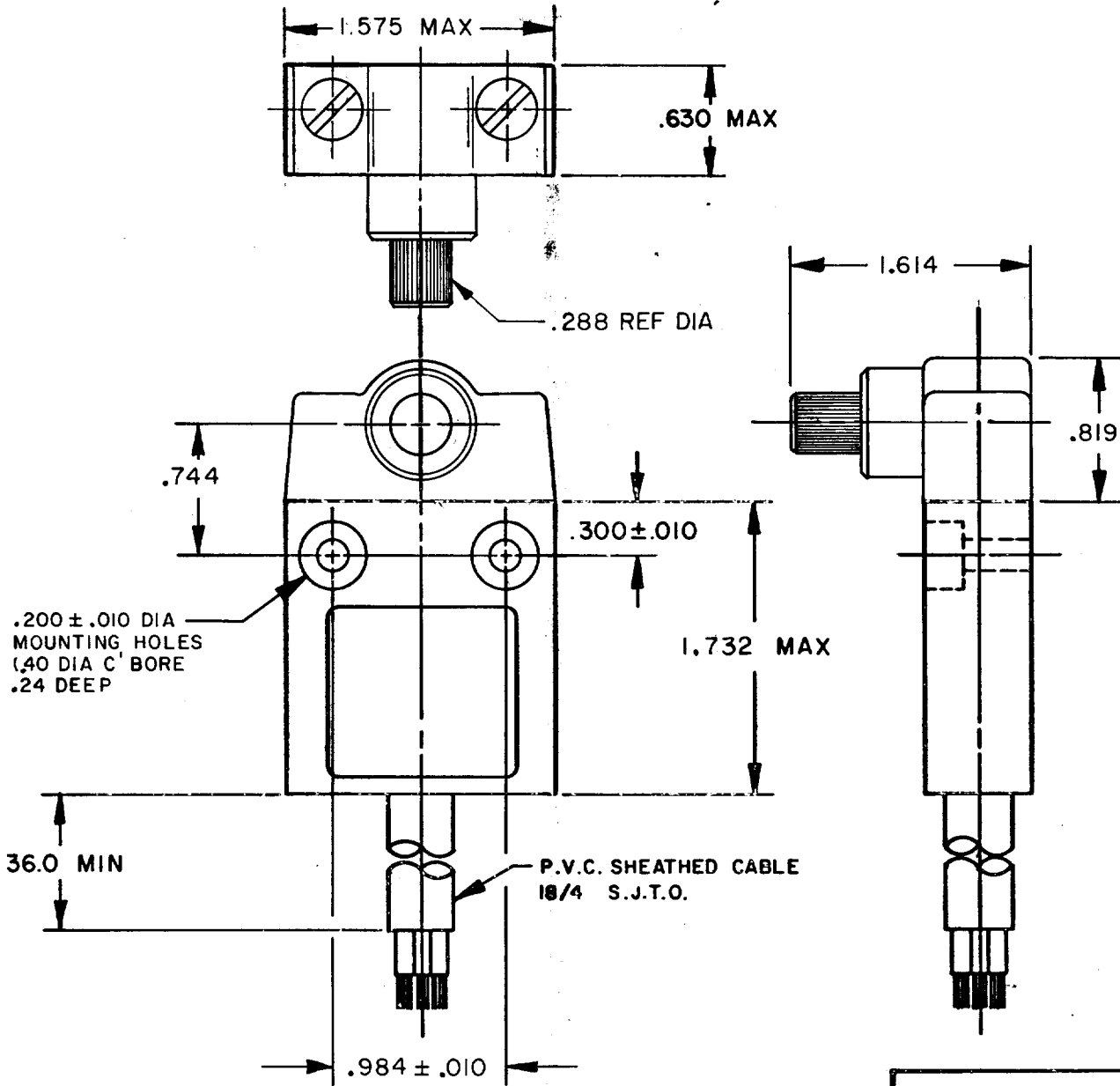
77

28 APR

J A L

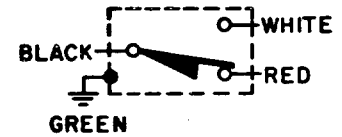
FO-52846-A

DRAWN



NOTE -

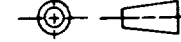
- 1 - ZINC HOUSING FINISHED WITH GRAY PAINT
- 2 - SWITCH WILL ACTUATE IN BOTH DIRECTIONS



CIRCUIT DIAGRAM

THIS DRAWING COVERS A PROPRIETARY ITEM AND IS THE PROPERTY OF MICRO SWITCH. A DIVISION OF HONEYWELL. THIS DRAWING IS NOT TO BE COPIED OR USED WITHOUT THE APPROVAL OF MICRO SWITCH.

THIRD ANGLE PROJECTION



CHARACTERISTICS	
OPERATING FORCE	--- 3 IN. LB MAX
RELEASE FORCE	----- 10 IN. OZ MAX
PRETRAVEL	----- 30° MAX
DIFFERENTIAL TRAVEL	--- 3° MAX
OVERTRAVEL	----- 40° MIN

ELECTRICAL DATA	
CONTACT ARRANGEMENT S P D T	
5A - 125 OR 250 VAC	
1/10HP - 125 OR 250 VAC	
(U.L.)	(SP)

SCALE		FULL	
DO NOT SCALE PRINT			
TOLERANCES			
APPLY TO DESIGN UNITS. CONVERSIONS ARE ONLY FOR REFERENCE. UNLESS NOTED, TOLERANCES ARE ±			
NO PLACES	DIM. in	TOL. mm/in	DIM. in
ONE PLACE	X	1/.04	X
TWO PLACES	X,X	0.4/.016	X,X
THREE PLACES	X,X,X	0.16/.008	X,X,X
ANGLES			
DESIGN UNITS		WEIGHT	
<input type="checkbox"/> METRIC <input checked="" type="checkbox"/> US CUSTOMARY			